

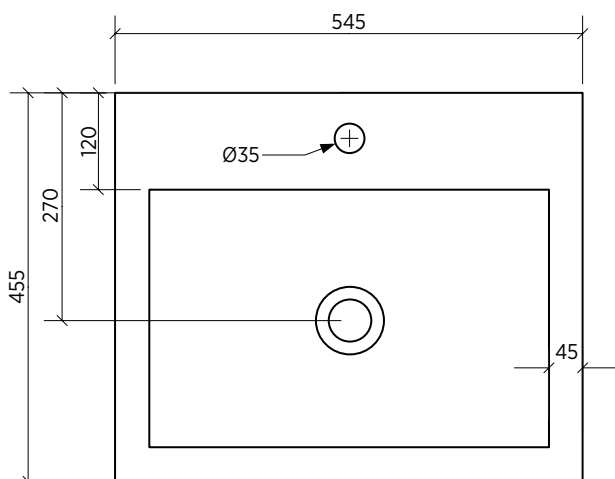
PLATI SBC-016



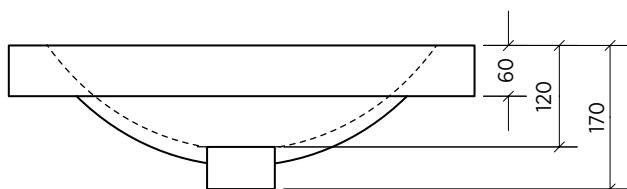
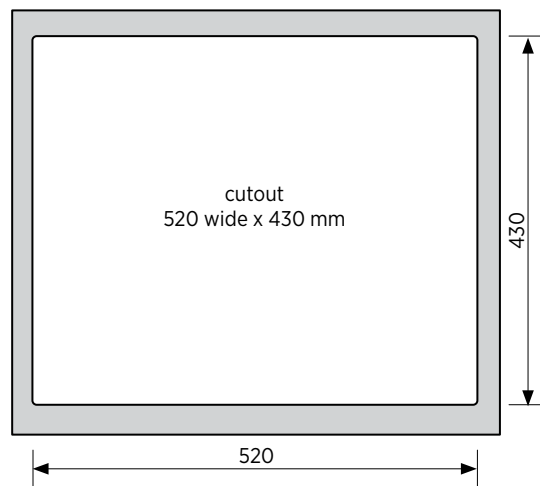
Inset above counter basin, rectangular

This contemporary inset basin has generous capacity with a low above counter profile and most of the basin sitting below the benchtop. The wide rim enables this inset basin to be used with a variety of benchtop materials.

ORDER CODE	SBC-016
TAPHOLE	0 or 1 taphole.
WASTE	Suits standard 40 mm waste with overflow (not supplied).
CAPACITY	6 litres.
OVERFLOW	Standard with overflow.
MATERIAL	White vitreous china.
COLOUR	White.
FIXING	Always use the actual basin to verify cutout. Use acetic cured silicone sealant. Do not use epoxy type adhesives.



BENCH CUTOUT



SEIMA

bathroom | kitchen | laundry

seima.com.au

Please note

- All measurements are in millimetres.
- Dimensions are nominal and subject to normal ceramic manufacturing variations of ± 5 mm.
- Fixing: Use acetic cured silicone sealant. Do not use epoxy type adhesives.
- Always use the actual basin to verify cutout.
- Specifications may vary without notice as part of our continuous improvement practices.
- Clean with a damp cloth. Do not use abrasive cleaners, liquids or pastes.

DS-SBC-016 | v 4.0